



# Roof Top Blox

## Roof Conduit Support

### Safer, Lighter and Faster!

Also Available with Various Lengths of Galvanized Steel Strut Attached

### EXTREMELY COMPETITIVE PRICING

Eliminates cutting and hauling, expensive treated lumber or heavy rubberized supports up to roof.

- Recycled black plastic. Can qualify for LEED Credits.
- Quickly secure conduit with an inexpensive one hole strap.
- Block floats free on roof. Allows movement to prevent damage to roof membrane when conduit expands and contracts due to temperature changes.
- Single Point load rating 250 lbs. or Dual Point/Strut Mounted 350 lb. load rating.
- Perfect for gas piping, plumbing, HVAC, conduit, cable tray & mechanical equipment.

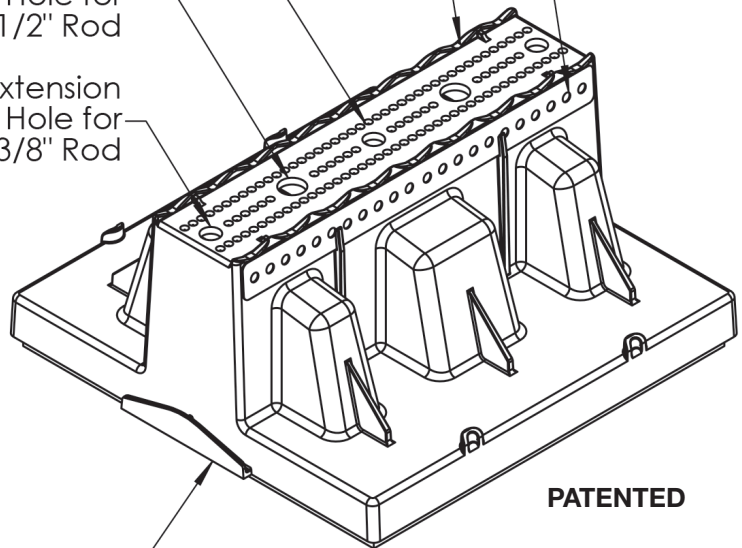
Reinforced Starter Guides For #12/#14 Screws

Pipe Saddles Along Top Edges

Removable Perforated Strap

2 X Extension Rod Hole for 1/2" Rod

3 X Extension Rod Hole for 3/8" Rod



PATENTED

Interlocking End-to-End Tabs

Cat#	Desc.
RTB-2000	Roof Top Blox

Single Point 250 lb. Load Rating

Also Available with Various Lengths of Any Type Strut Attached

## For Electrical, Plumbing, HVAC, etc.



PATENT PENDING  
PATENTED



LABELS APPLY TO PRODUCTS ONLY WHERE SHOWN ABOVE

730 Pratt Boulevard • Elk Grove Village, IL 60007  
 P: (847) 593-8595 • F: (847) 593-8629 • Toll-free (800) 233-8595  
 E: info@spproducts.com • www.spproducts.com

IP36