

#17

SP PRODUCTS, INC.
Productivity and value thru ideas



We're Proud to be the Electricians' Friend for Over 50 Years!

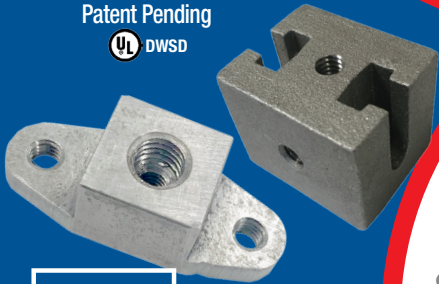
New Products

Safer Better Faster

IP19

4-Conduit Block

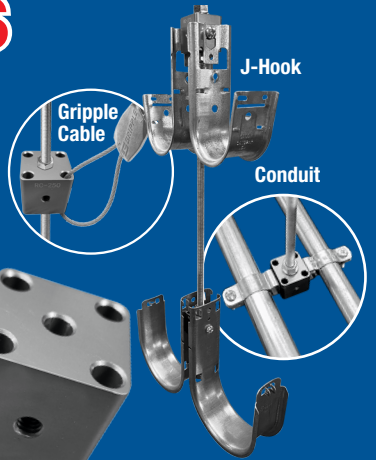
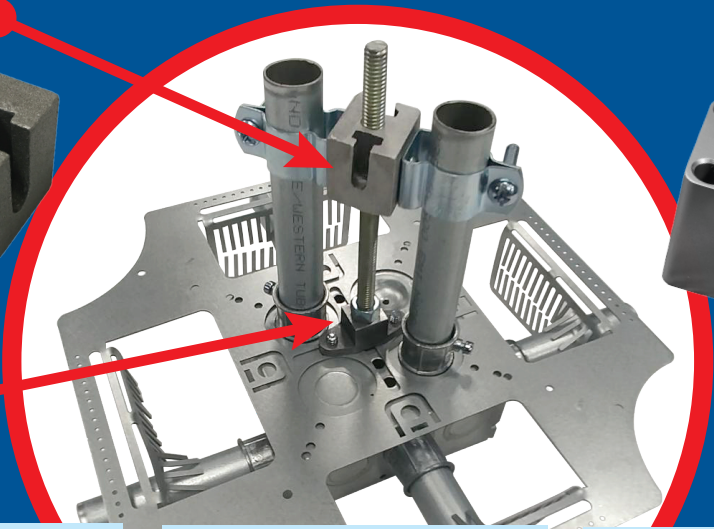
Patent Pending
UL DWS D



IP21a

QwikBlock

Patent Pending
UL DWS D



IP20a

Box Support Rod Cubes

Patent Pending

IP3e

PVC Guide

Patent Pending

IP2b

PVC Driver

Patented

TE15

Conduit Layout Tool

Patent Pending

IP3g

Long Slip PVC

Patent Pending

IP3f

Slip PVC/RGD

Patent Pending

IP3e

EZ Raised Bracket

For more information visit our website at SPProducts.com

Plus More Being Invented for SAFER BETTER FASTER Jobs . . . Call With Your Ideas!

SPProducts.com 800-233-8595 Info@SPProducts.com